


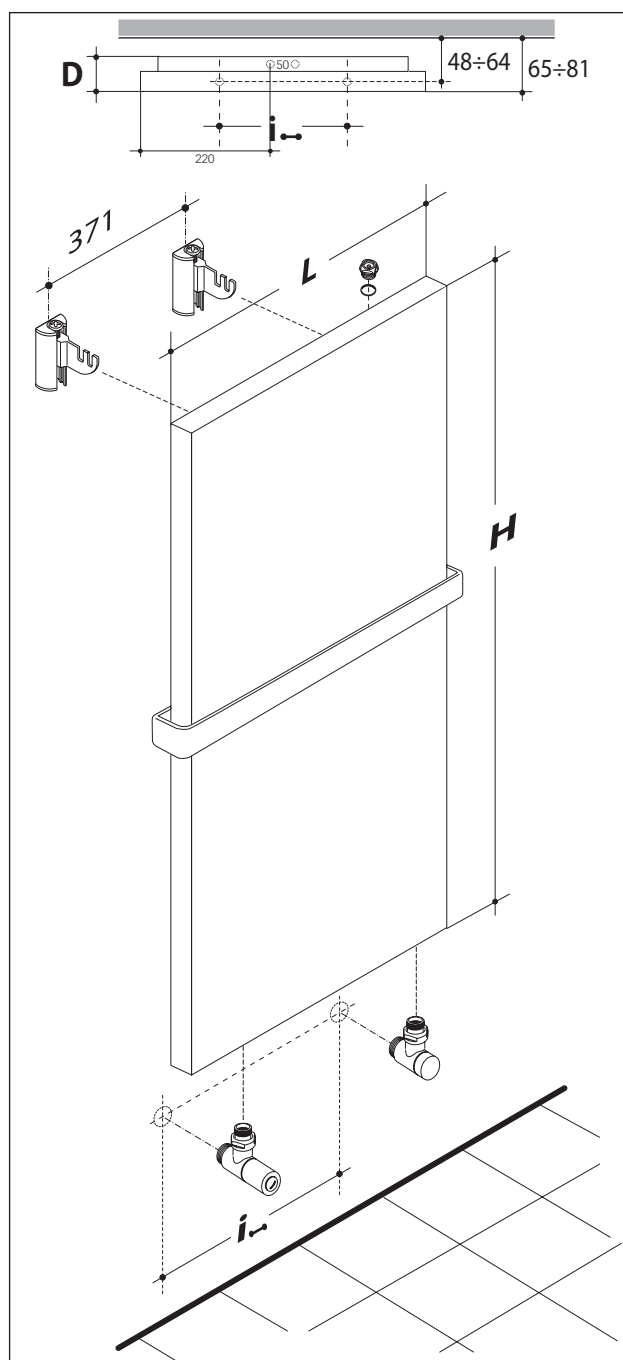


# the wall



Model	H (mm)	D (mm)	L (mm)	 (watt)		  (mm)
H 1800	1800	55	540	780	800	250
H 2100	2100	55	540	920	1000	250

## ACCESSORI/ACCESSORIES



## CONNESSIONI/CONNECTIONS

